

Steel Batten w/ Concrete Anchor

Not to scale



GSE Lining Technology, Inc.

19103 Gundle Road
Houston, Texas 77073-3598
(800)435-2008 / (281)443-8564

NO PART OF THIS DOCUMENT MAY BE REPRODUCED OR DISTRIBUTED IN ANY FORM OR BY ANY MEANS, OR STORED IN A DATA BASE OR RETRIEVAL SYSTEM, WITHOUT THE PRIOR WRITTEN PERMISSION OF GSE Lining Technology, Inc.

THIS IS A CONCEPTUAL DRAWING SOLELY FOR USE BY ENGINEERS AS A GENERAL GUIDELINE IN FORMULATING SITE SPECIFIC ENGINEERING DRAWINGS. NO DESCRIPTION OF MATERIALS OR THIS DESIGN CREATES OR AMOUNTS TO AN EXPRESS WARRANTY, OR IMPLIED WARRANTY OF MERCHANTABILITY OR FITNESS FOR A PARTICULAR PURPOSE.

DRAWN

Don

DATE

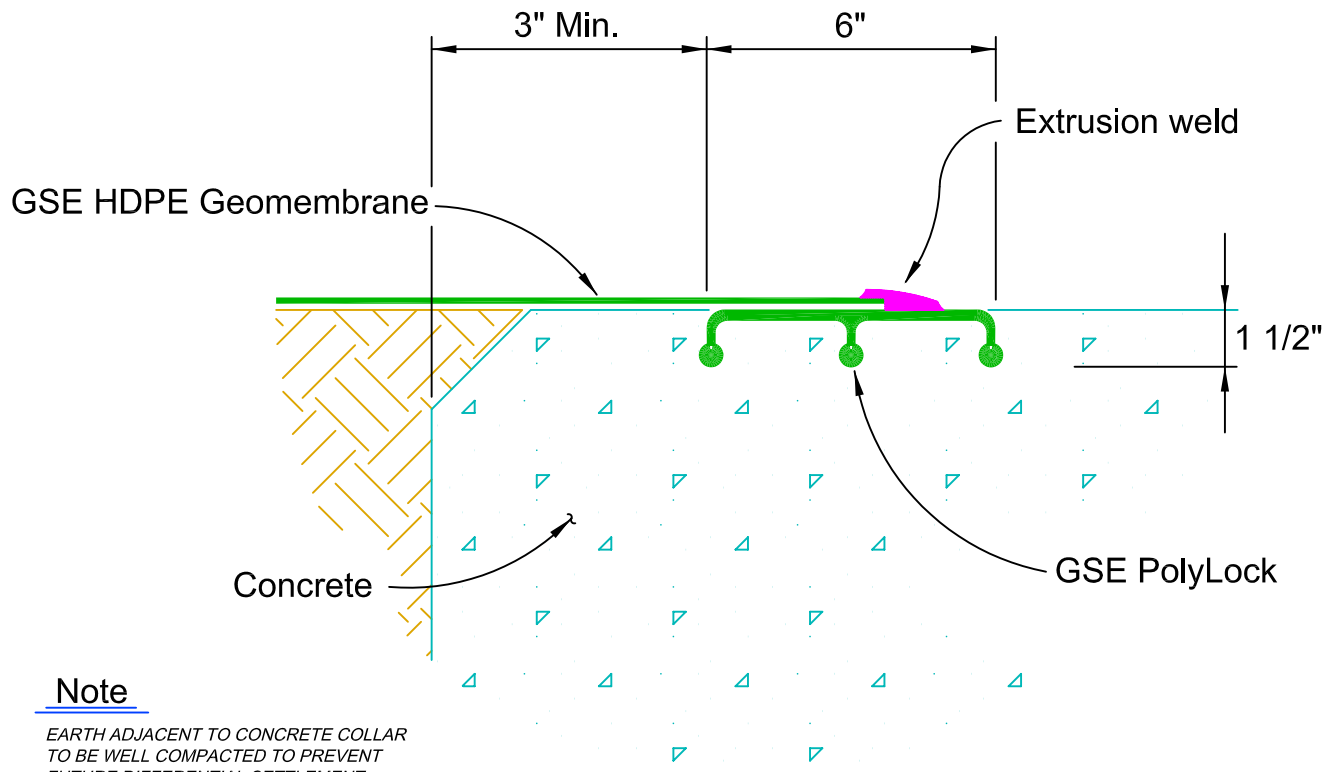
03/25/05

REVISION

0

DWG. NO.

GSE018



Note

*EARTH ADJACENT TO CONCRETE COLLAR TO BE WELL COMPACTED TO PREVENT FUTURE DIFFERENTIAL SETTLEMENT.
 ALL CONCRETE COLLARS TO BE CHAMFERED A MINIMUM OF 1" (TYP.) @ ALL CORNERS IN CONTACT WITH LINER.*

PolyLock Attachment

Not to scale



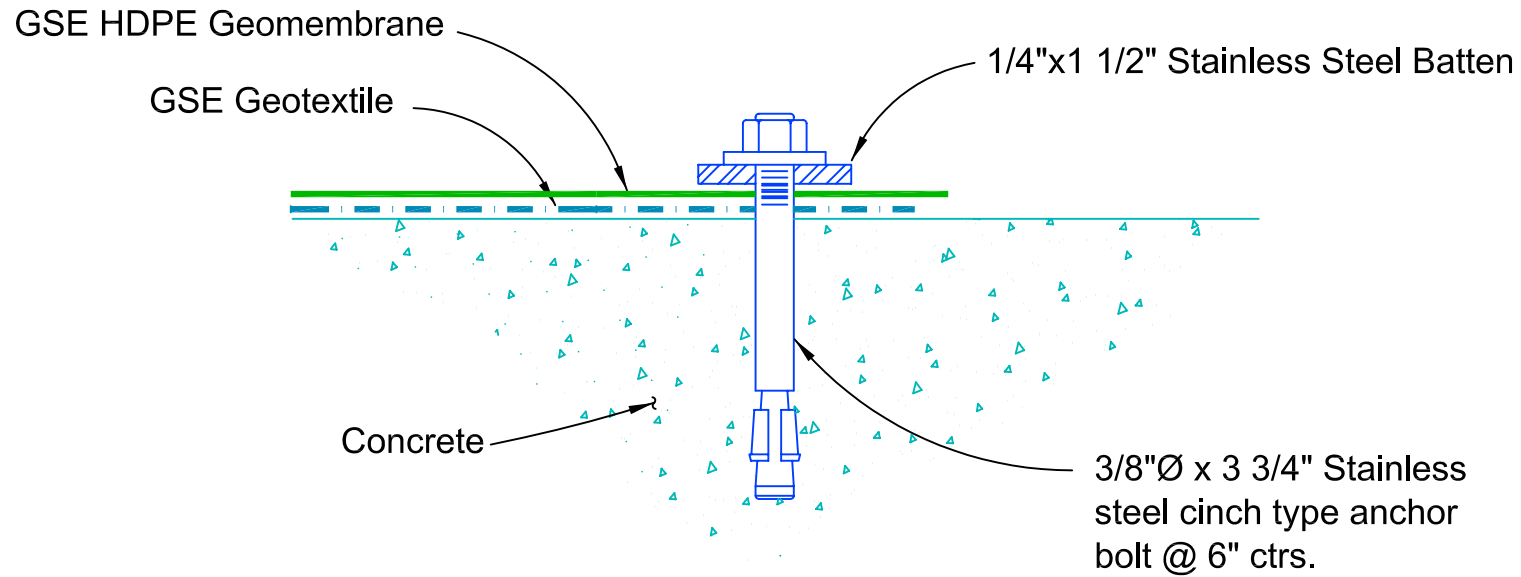
GSE Lining Technology, Inc.

19103 Gundle Road
 Houston, Texas 77073-3598
 (800)435-2008 / (281)443-8564

NO PART OF THIS DOCUMENT MAY BE REPRODUCED OR DISTRIBUTED IN ANY FORM OR BY ANY MEANS, OR STORED IN A DATA BASE OR RETRIEVAL SYSTEM, WITHOUT THE PRIOR WRITTEN PERMISSION OF GSE Lining Technology, Inc.

THIS IS A CONCEPTUAL DRAWING SOLELY FOR USE BY ENGINEERS AS A GENERAL GUIDELINE IN FORMULATING SITE SPECIFIC ENGINEERING DRAWINGS. NO DESCRIPTION OF MATERIALS OR THIS DESIGN CREATES OR AMOUNTS TO AN EXPRESS WARRANTY, OR IMPLIED WARRANTY OF MERCHANTABILITY OR FITNESS FOR A PARTICULAR PURPOSE.

DRAWN	Don	DATE	03/25/05	REVISION	0	DWG. NO.	GSE019
-------	-----	------	----------	----------	---	----------	--------



Steel Batten w/ Concrete Anchor

Not to scale



GSE Lining Technology, Inc.
 19103 Gundle Road
 Houston, Texas 77073-3598
 (800)435-2008 / (281)443-8564

NO PART OF THIS DOCUMENT MAY BE REPRODUCED OR DISTRIBUTED IN ANY FORM OR BY ANY MEANS, OR STORED IN A DATA BASE OR RETRIEVAL SYSTEM, WITHOUT THE PRIOR WRITTEN PERMISSION OF GSE Lining Technology, Inc.

THIS IS A CONCEPTUAL DRAWING SOLELY FOR USE BY ENGINEERS AS A GENERAL GUIDELINE IN FORMULATING SITE SPECIFIC ENGINEERING DRAWINGS. NO DESCRIPTION OF MATERIALS OR THIS DESIGN CREATES OR AMOUNTS TO AN EXPRESS WARRANTY, OR IMPLIED WARRANTY OF MERCHANTABILITY OR FITNESS FOR A PARTICULAR PURPOSE.

DRAWN	Don	DATE	03/25/05	REVISION	0	DWG. NO.	GSE025
-------	-----	------	----------	----------	---	----------	--------